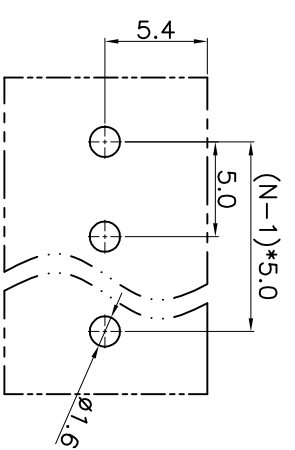
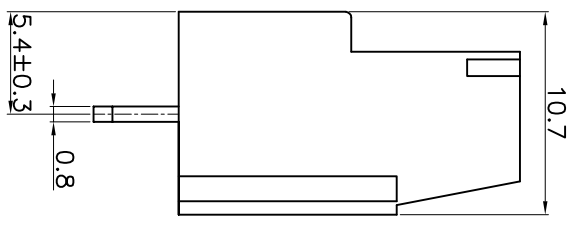
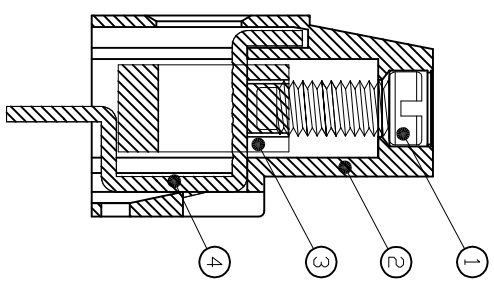
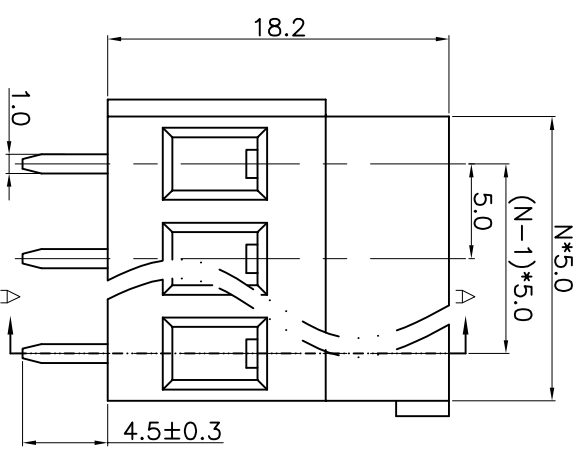
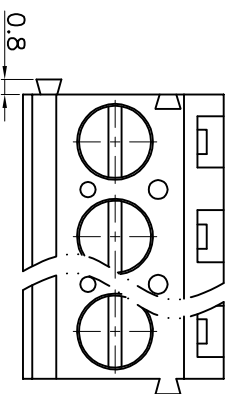


REV.	DESCRIPTION	DATE	DRAFTER	APPROVER
V1.0	DWG.REL	2023.9.13	ZHANG	JIN

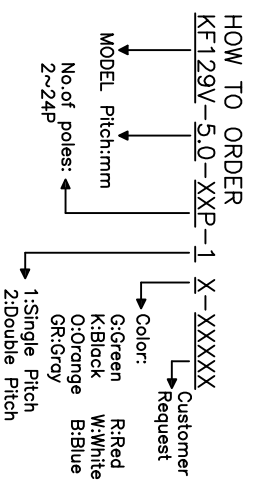


Pitch range	Nominal dimension range	PROJECTION
>0	>0	0.1/10
>6	>30	□
~	~	□
>10	>60	□
~	~	□
24	100	□
~	~	□
30	150	□
~	~	□
±0.15	±0.30	±2°
~	~	□
±0.20	±0.30	□
~	~	□
±0.30	±0.50	□
~	~	□
±0.30	±0.70	□
~	~	□
±0.30	±1.00	□
~	~	□
±0.30	±1.30	□

DRAWING TYPE	CUSTOMER DRAWING
SCALE	1:1
SHEET	1 OF 1
DRAWING NO.	W15000622

PROJECTION	UNIT	TITLE
mm	mm	KF129V-5.0-XXP-1X
A4	A4	SHEET SIZE
SERIES	KF129	

- Material
 - Screw : M3.0 steel, Zinc plated,
 - Housing : PA66, UL94V-0
 - Clamp : Copper alloy, Ni plated
 - Pin header : Copper alloy, Tin plated
- Electrical
 - UL IEC
 - Rated voltage : 300V 250V
 - Rated current : 20A 20A
 - Contact Resistance: 20mΩ
 - Insulation resistance: 500MΩ/DC500V
 - Withstanding Voltage : AC2000V/1min
 - Wire range: 24-12AWG 0.2-4.0mm²
- Mechanical
 - Operating temperature:-40℃~+105℃
 - Soldering temperature:250℃±5/5sec
 - Torque: 0.5N.m (4.43lb.in)
 - Strip length: 6-7mm
- Conform to REACH and RoHS



DF 慈溪市凯峰电子有限公司
CIXI KAIFENG ELECTRONICS CO.,LTD