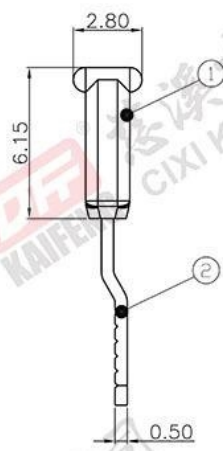
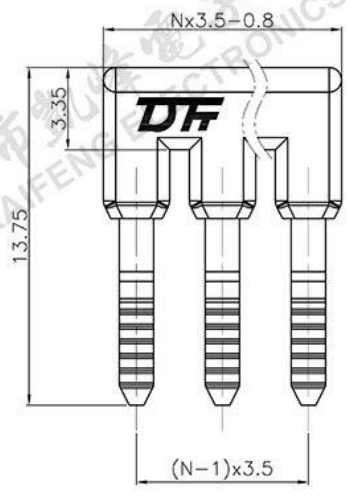


| REV. | DESCRIPTION | DATE | DRAFTER | APPROVER |
|------|-------------|----------|---------|----------|
| V1.0 | DWG.REL | 2023.8.3 | ZHANG | JIN |



- Material
 - ⊙Housing : PA66, UL94V-0
 - ⊙Metal part : Copper alloy, Tin plated
- Electrical
 - IEC
 - Rated voltage : 250V
 - Rated current : 7A
- Mechanical
 - Operating temperature: -40℃~+105℃
- Conform to REACH and RoHS

HOW TO ORDER
 2KF016-3.5-XXP-1 X-XXXXX

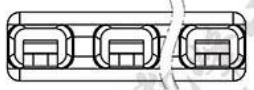
MODEL Pitch:mm

No. of poles: 2P, 3P

Color:
 G:Green R:Red
 K:Black W:White
 O:Orange B:Blue
 GR:Gray

1:Single Pitch
 2:Double Pitch

Customer Request



| Pitch range | Nominal dimension range | PROJECTION | UNIT | TITLE |
|-------------|-------------------------|------------|------|-------------------|
| >0 | >0 | 0.1/10 | mm | 2KF016-3.5-XXP-1X |
| ~6 | ~30 | | A4 | SERIES 2KF016 |
| ±0.15 | ±0.70 | | | |
| ±0.20 | ±1.00 | | | |
| ±0.30 | ±1.30 | | | |
| ±0.30 | ±1.00 | | | |
| ±0.50 | ±1.30 | | | |
| ±0.70 | ±1.00 | | | |
| ±1.00 | ±1.30 | | | |
| ±2° | | | | |

DRAWING TYPE: CUSTOMER DRAWING

SCALE: 1:1 SHEET 1 OF 1

DRAWING NO.: W10005042

DF 慈溪市凯峰电子有限公司
 CIXI KAIFENG ELECTRONICS CO.,LTD