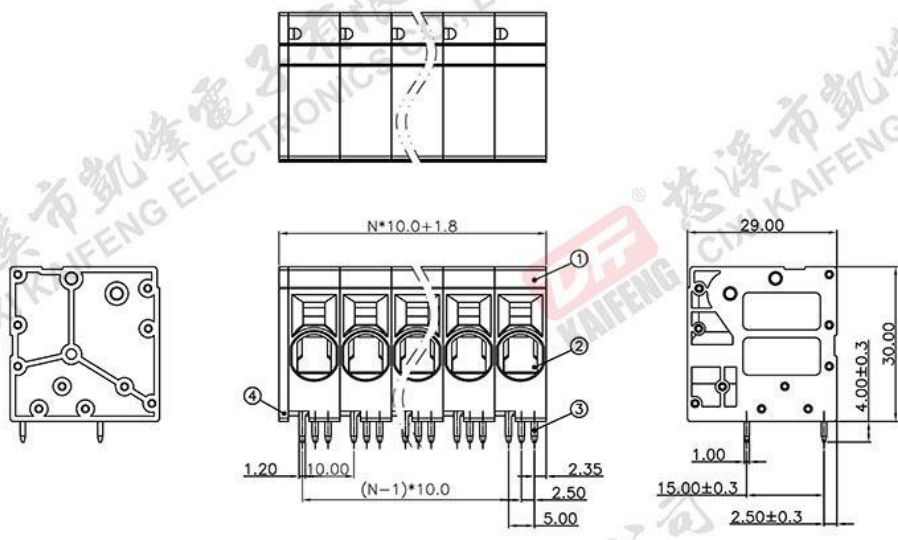


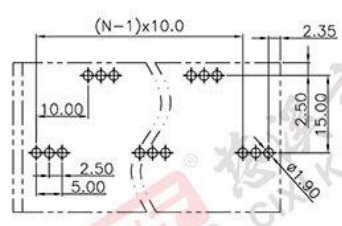
REV.	DESCRIPTION	DATE	DRAFTER	APPROVER
V1.0	DWG.REL	2024.4.26	ZHANG	JIN



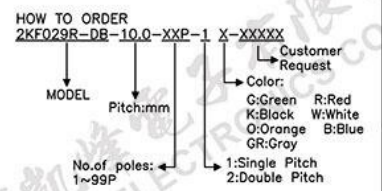
- Material
 - ØHousing : PA66, UL94V-0
 - ØReed : Stainless steel
 - ØPin header : Copper alloy, Tin plated
 - ØCover : PA66, UL94V-0
- Electrical

UL	IEC
Rated voltage : 300V	1000V
Rated current : 70A	76A
Contact resistance : 20mΩ(Max)	
Insulation resistance : 500MΩ/DC500V	
Withstanding Voltage : AC3500V/1min	
Wire range : 20-4AWG;0.75-16mm ²	
- Mechanical
 - Operating temperature: -40℃~+105℃
 - Soldering temperature: 250℃±5/5sec
 - Strip length: 17-18mm
- Conform to REACH and RoHS

The first pin header from the left is in front



P.C.B.LAYOUT



Pitch range	Nominal dimension range	PROJECTION	UNIT	TITLE
>0	>6	0.1/10	mm	2KF029R-DB-10.0-XXP-1X
~6	~10		A4	SERIES 2KF029-DB
±0.15	±0.20			
±0.30	±0.30			
±0.50	±0.70			
±1.00	±1.30			
±2				

DRAWING TYPE: CUSTOMER DRAWING
 SCALE: 1:1 SHEET: 1/1
 DRAWING NO.: W11001162

DF 慈溪市凯峰电子有限公司
 CIXI KAIFENG ELECTRONICS CO.,LTD