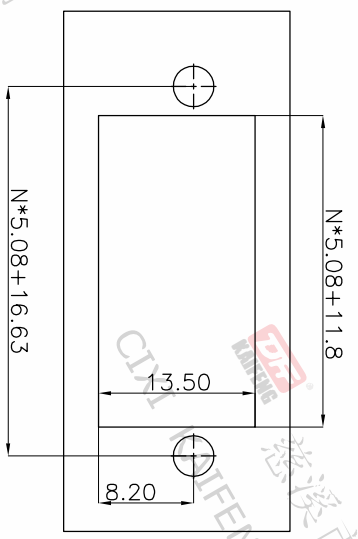
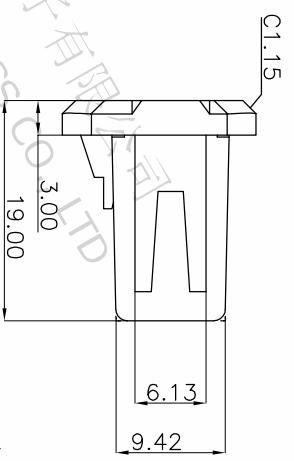
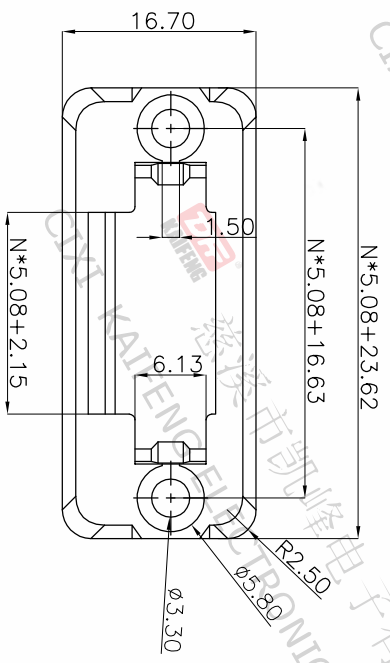
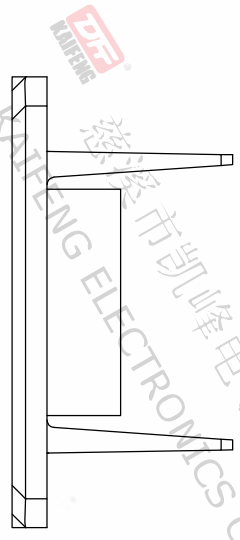
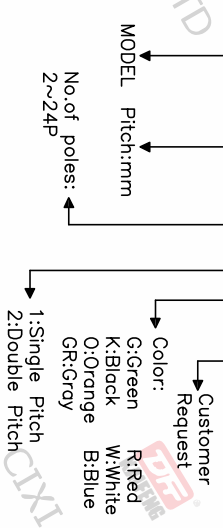


REV.	DESCRIPTION	DATE	DRAFTER	APPROVER
A1	DWG.REL	2020.5.19	ZHANG	JIN



- Material : PA66, UL94V-0
- RoHS compliance

HOW TO ORDER
 ZKF001-5.08-XXP-1 X-XXXXX



Pitch range	Nominal dimension range	PROJECTION
>0	>0	0.1/10
~6	~30	0.1/10
~10	~60	0.1/10
~24	~100	0.1/10
±0.15	±0.30	±2°
	±0.50	
	±0.70	
	±1.00	
	±1.30	

DRAWING TYPE	CUSTOMER DRAWING	SHEET SIZE	TITLE
SCALE	1:1	A4	2KF001-5.08-XXP-1X

DRAWING NO.	SHEET	OF
W10002062	1	1

DF 慈溪市凯峰电子有限公司
 CIXI KAIFENG ELECTRONICS CO.,LTD