

REV.	DESCRIPTION	DATE	DRAFTER	APPROVER
A1	DWG.REL	2020.5.19	ZHANG	JIN

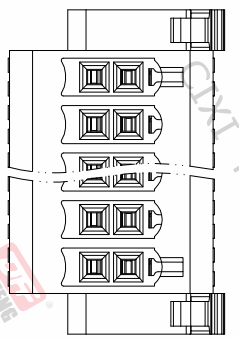
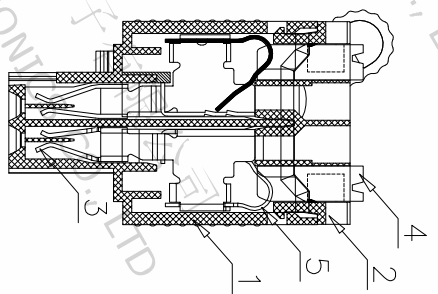
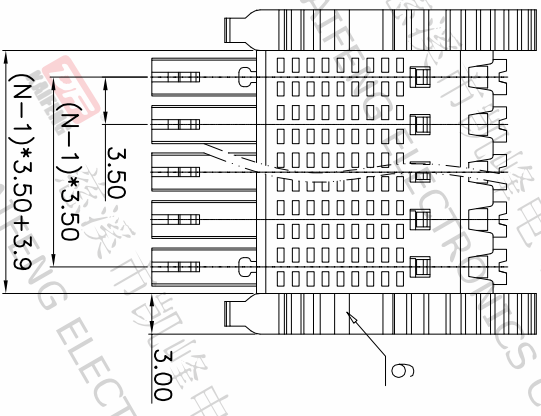
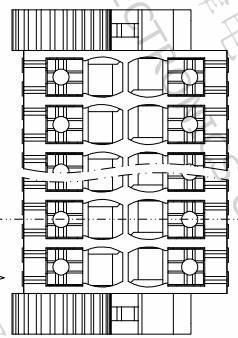
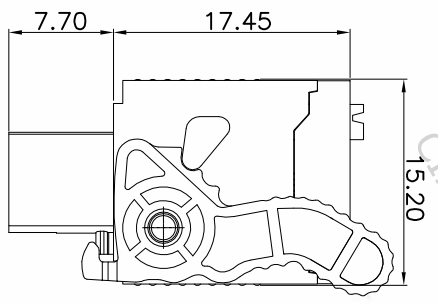
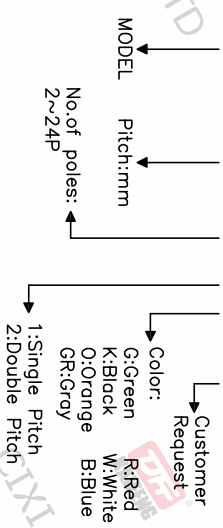
- Material
 - ①Housing : PA66, UL94V-0
 - ②Cover : PA66, UL94V-0
 - ③Contact : Copper alloy
 - ④Button : PA66, UL94V-0
 - ⑤Reed : Stainless steel
 - ⑥Spanner : PA66, UL94V-0

- Electrical
 - UL IEC
 - Rated voltage : 300V 320V
 - Rated current : 10A 13.4A
 - Contact resistance : 20mΩ(Max)
 - Insulation resistance: 500MΩ/DC500V
 - Withstanding Voltage : AC1600V/1min
 - Wire range : 28-16AWG 0.2-1.5mm²

- Mechanical
 - Operating temperature: -40°C~+105°C
 - Soldering temperature: 250°C±5/5sec
 - Strip length: 10-11mm

• RoHS compliance

HOW TO ORDER
 KF12EDHF-3.5-2*XXP-1X-XXXXX



Pitch range	Nominal dimension range	PROJECTION	TITLE
>0	>0	UNIT	KF12EDHF-3.5-2*XXP-1X
>6	>10	mm	
6	10	SHEET SIZE	SERIES KF12EDHF
10	24	A4	

DRAWING TYPE	CUSTOMER DRAWING	SCALE	SHEET	1 OF 1
±0.15 ±0.20 ±0.30 ±0.50	±0.30 ±0.50 ±0.70 ±1.00 ±1.30	1:1	1	1
DRAWING NO. W10001972				

DF 慈溪市凯峰电子有限公司
 CIXI KAIFENG ELECTRONICS CO.,LTD