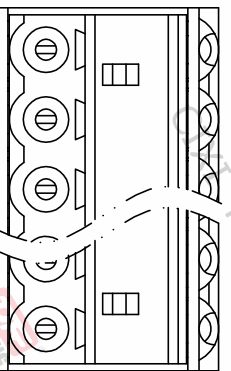
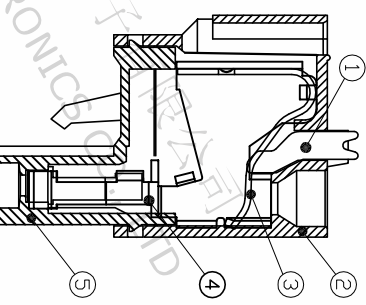
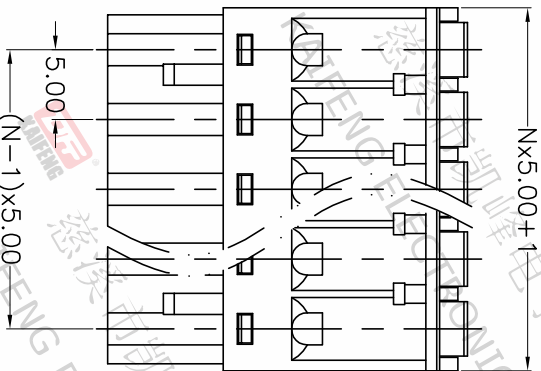
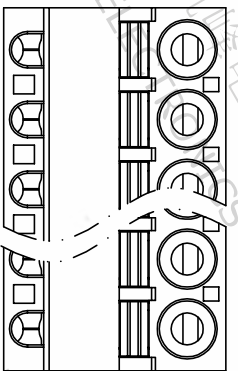


| REV. | DESCRIPTION | DATE | DRAFTER | APPROVER |
|------|-------------|-----------|---------|----------|
| A1 | DWG.REL | 2020.5.30 | ZHANG | JIN |



- Material
 - ①Button : PA66, UL94V-0
 - ②Housing : PA66, UL94V-0
 - ③Reed : Stainless steel
 - ④Contact : Copper alloy, Tin plated
 - ⑤Cover : PA66, UL94V-0

- Electrical

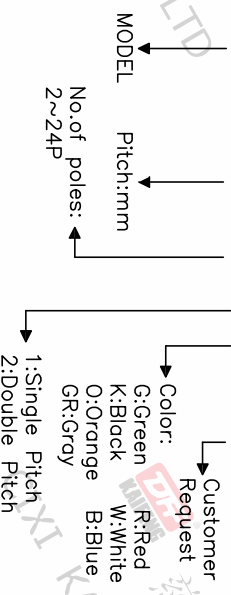
| | |
|---|------|
| UL | IEC |
| Rated voltage : 300V | 320V |
| Rated current : 15A | 20A |
| Contact resistance : 20mΩ(Max) | |
| Insulation resistance: 500MΩ/DC500V | |
| Withstanding Voltage : AC2000V/1min | |
| Wire range: 28-14AWG 2.5mm ² | |

- Mechanical
 - Operating temperature: -40°C ~ +105°C
 - Soldering temperature: 250°C ±5/5sec
 - Strip length: 10-11mm

• RoHS compliance

HOW TO ORDER

KF2EDGKD-5.0-XXP-1 X-XXXXX



| Pitch range | Nominal dimension range | Projection |
|-------------|-------------------------|------------|
| >0 | >0 | 0.1/10 |
| ~6 | ~30 | ≤ |
| ~10 | ~60 | |
| ~24 | ~100 | |
| ~30 | ~150 | |
| ±0.15 | ±0.30 | ±2° |
| ±0.20 | ±0.50 | |
| ±0.30 | ±0.70 | |
| ±1.00 | ±1.30 | |

| DRAWING TYPE | CUSTOMER DRAWING |
|--------------|------------------|
| SCALE | 1:1 |
| SHEET | 1 OF 1 |
| DRAWING NO. | W10000442 |

| PROJECTION | TITLE |
|------------|---------------------|
| UNIT | KF2EDGKD-5.0-XXP-1X |
| SHEET SIZE | A4 |
| SERIES | KF2EDGKD |

DF 慈溪市凯峰电子有限公司
CIXI KAIFENG ELECTRONICS CO.,LTD

