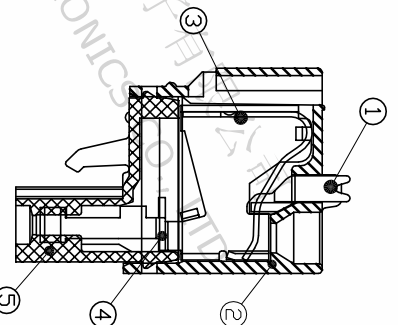
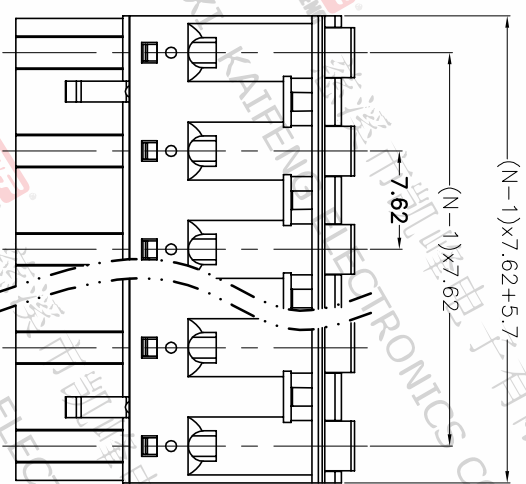
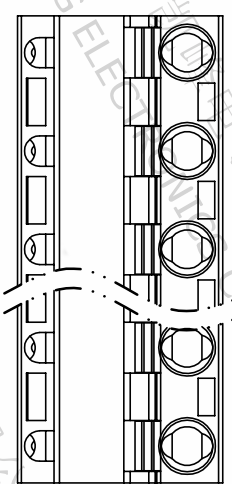


REV.	DESCRIPTION	DATE	DRAFTER	APPROVER
A1	DWG.REL	2020.5.30	ZHANG	JIN



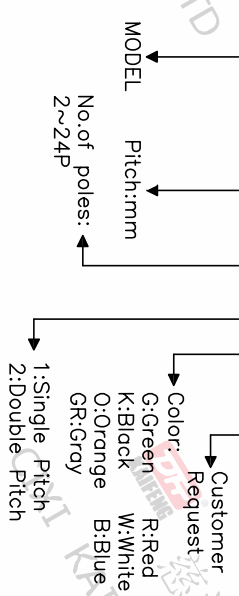
- Material
  - ⊙Button : PA66, UL94V-0
  - ⊙Housing : PA66, UL94V-0
  - ⊙Reed : Stainless steel
  - ⊙Contact : Copper alloy, Tin plated
  - ⊙Cover : PA66, UL94V-0

- Electrical
  - UL IEC
  - Rated voltage : 300V 400V
  - Rated current : 15A 20A
  - Contact resistance : 20mΩ(Max)
  - Insulation resistance: 500MΩ/DC500V
  - Withstanding Voltage : AC2000V/1min
  - Wire range: 28-14AWG 2.5mm<sup>2</sup>

- Mechanical
  - Operating temperature: -40°C ~ +105°C
  - Soldering temperature: 250°C ± 5 / 5sec
  - Strip length: 10-11mm

• RoHS compliance

HOW TO ORDER  
KF2EDGKD-7.62-XXP-1 X-XXXXX



Pitch range	Nominal dimension range	PROJECTION
>0	>0	0.1/10
~6	~30	~
~10	~60	~
~24	~100	~
±0.15	±0.30	±2°
	±0.50	
	±0.70	
	±1.00	
	±1.30	

DRAWING TYPE	CUSTOMER DRAWING	SHEET SIZE	TITLE
SCALE	1:1	A4	KF2EDGKD-7.62-XXP-1X
DRAWING NO.	W10000482		SERIES KF2EDGKD

**DF** 慈溪市凯峰电子有限公司  
CIXI KAIFENG ELECTRONICS CO.,LTD