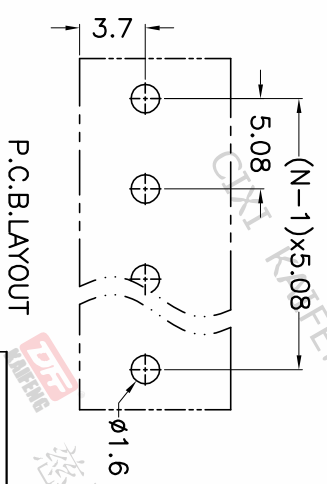
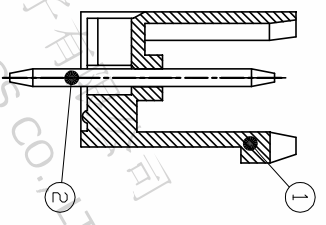
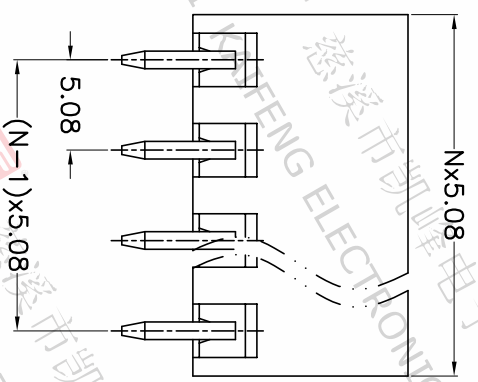
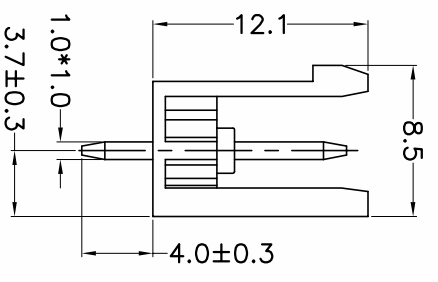
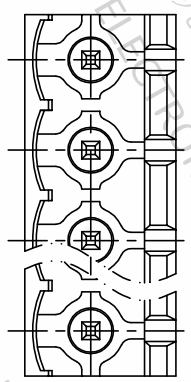


REV.	DESCRIPTION	DATE	DRAFTER	APPROVER
A1	DWG.REL	2020.6.02	ZHANG	JIN

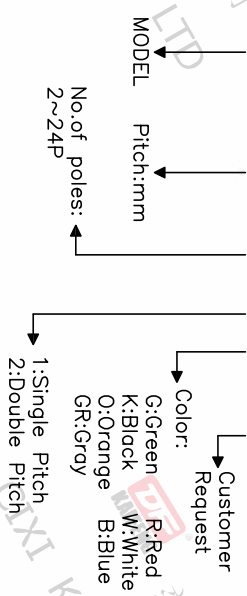


- Material
 @Housing : PA66, UL94V-0
 @Pin header : Copper alloy, Tin plated

- Electrical
 UL IEC
 Rated voltage : 300V 320V
 Rated current : 15A 20A
 Contact resistance : 20mΩ(Max)
 Insulation resistance: 500MΩ/DC500V
 Withstanding Voltage : AC2000V/1min

- Mechanical
 Operating temperature: -40°C ~ +105°C
 Soldering temperature: 250°C ±5/5sec
- RoHS compliance

HOW TO ORDER
 KF2EDGV-X-5.08-XXP-1 X-XXXXX



Pitch range	Nominal dimension range	PROJECTION	UNIT
>0	>0	0.1/10	mm
~6	~10		
~10	~24		
~24	~30		
~30	~60		
~60	~100		
~100	~150		
~150	~150		
±0.15	±0.20	±2	
±0.30	±0.30		
±0.50	±0.50		
±0.70	±1.00		
±1.30	±1.30		

DRAWING TYPE	CUSTOMER DRAWING
SCALE	1:1
SHEET	1 OF 1
DRAWING NO.	W100000602

PROJECTION	TITLE
UNIT	KF2EDGV-X-5.08-XXP-1X
SHEET SIZE	A4
SERIES	KF2EDGV-X

DF 慈溪市凯峰电子有限公司
 CIXI KAIFENG ELECTRONICS CO.,LTD