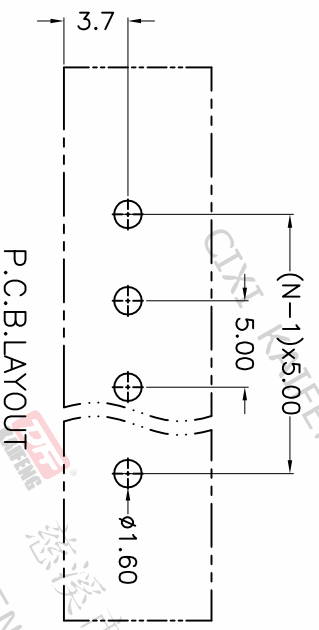
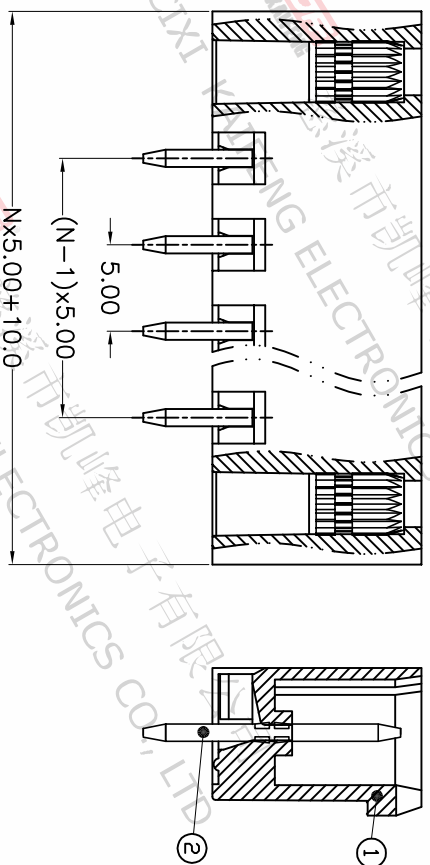
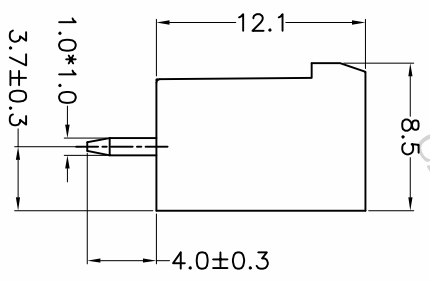
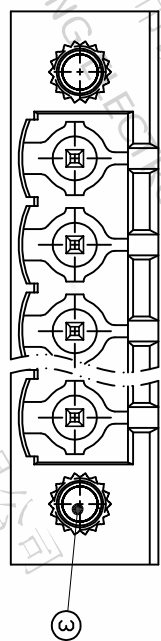


REV.	DESCRIPTION	DATE	DRAFTER	APPROVER
A1	DWG.REL	2020.5.20	ZHANG	JIN



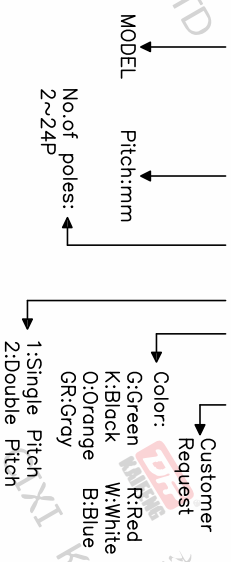
- Material
 ØHousing : PA66, UL94V-0
 ØPin header : Copper alloy, Tin plated
 ØNut : M2.5, Copper alloy

- Electrical
 UL IEC
 Rated voltage : 300V 320V
 Rated current : 15A 20A
 Contact resistance : 20mΩ(Max)
 Insulation resistance: 500MΩ/DC500V
 Withstanding Voltage : AC2000V/1min

- Mechanical
 Operating temperature: -40℃~+105℃
 Soldering temperature: 250℃±5/5sec

- RoHS compliance

HOW TO ORDER
 KF2EDGVM-X-5.0-XXP-1 X-XXXXX



Pitch range	Nominal dimension range	PROJECTION	UNIT
>0	>30	□	mm
~6	~60	□	mm
~10	~100	□	mm
~24	~150	□	mm
±0.15	±0.30	□	mm
±0.20	±0.50	□	mm
±0.30	±0.70	□	mm
±0.50	±1.00	□	mm
±1.00	±1.30	□	mm

DRAWING TYPE	CUSTOMER DRAWING	SHEET	TITLE
SCALE	1:1	1 OF 1	KF2EDGVM-X-5.0-XXP-1X
DRAWING NO.	W10001612		SHEET SIZE A4
			SERIES KF2EDGVM-X

DF 慈溪市凯峰电子有限公司
 CIXI KAIFENG ELECTRONICS CO.,LTD